



Client Date Qty
 Project Type PO#

LS-PSU-12V-DIM-12W

LS-PSU-12V-DIM-40W

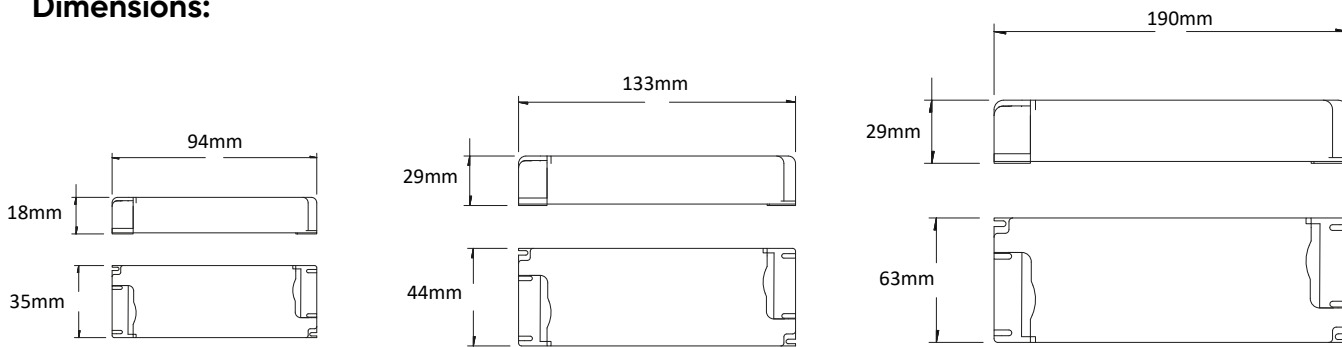
LS-PSU-12V-DIM-80W



Description:

- ETL Canada and USA certified.)
- Class 2
- Dimmable TRIAC 5%-100%
- High heat resistance
- Smart surge protection
- Operates in temperatures from -30°C to 45°C
- Including 120VAC connection cable
- Reverse protection
- 5 YEAR warranty

Dimensions:



LS-PSU-12V-DIM-12W

LS-PSU-12V-DIM-40W

LS-PSU-12V-DIM-80W

Order table:

Model	IP protection	Power	Input Voltage	Output Voltage	Dimensions
LS-PSU-12V-DIM-12W	IP20	12W	120VAC	12VDC	94mm*35mm*18mm
LS-PSU-12V-DIM-40W	IP20	40W	120VAC	12VDC	133mm*44mm*29mm
LS-PSU-12V-DIM-80W	IP20	80W	120VAC	12VDC	190mm*63mm*29mm



Client Date Qty
 Project Type PO#

LS-PSU-12V-DIM-12W LS-PSU-12V-DIM-40W LS-PSU-12V-DIM-80W



Specifications:

Protection	Short Circuit	Intermittent restart mode, after the exception can be automatically restored
	Over Current	Hiccup mode, after the removal of abnormal flow can be automatically restored
Environment	Working TEMP.	-30~+45°C
	Working Humidity	5~95%RH
	Storage TEMP. Humidity	-40~+70°C, 5~95%RH
	TEMP .coefficient	±0.03%/°C (0~50°C)
	Vibration	5-55Hz/2g,30 Mimute
Safety& EMC	Safety standards	EN60598
	Withstand voltage	I/P-O/P:3KVAC IP-FG:1.88KVAC O/P-FG:0.5KVAC
	Isolation resistance	I/P-O/P I/P-FG O/P-FG:100MΩ/500VDC/25°C/70%RH
	EMC EMISSION	EN55022,EN55015 Class B
Notes	<p>1. All parameters if NOT specially mentioned are measured at 120VAC input , rated load and 25°Cof ambient temperature.</p> <p>2. To extend the driver's using life ,please reduce the loading at lower input voltage.</p>	



Client	<input type="text"/>	Date	<input type="text"/>	Qty	<input type="text"/>
Project	<input type="text"/>	Type	<input type="text"/>	PO#	<input type="text"/>

LS-PSU-12V-DIM-12W LS-PSU-12V-DIM-40W LS-PSU-12V-DIM-80W

Dimming Operation

※The Pulse-Width Modulation (PWM) of output voltage can be adjusted through input terminal of the AC phase line(L) by connection a triac dimmer.

※Usually matching with leading edge/Forward Phase Triac Dimmers(Can customized as a driver only matching trailing edge/reverse phase Triac Dimmers if needed).

※Please try to use dimmers with power at least 2.5 times as the output power of the driver.

※for Forward phase,Magnetic low voltage and Triac Dimmers

Warning

※Prevent to reverse polarity;

※Risk of Electric Shock. When used outdoors, install only on a circuit protected by a Class A GFCI;

※Risk of Fire. Installation involves special wiring methods to run wiring through a building structure. Consult a qualified electrician;

※Risk of Electric Shock. Mount the unit at a height greater than 1 foot from the ground surface.