



Flexible neon

## LS-EXT-NEON-SIDE-06\*12

Heavy-duty silicone design. Decorative line, ambient lighting.  
Side-bending neon. Designed for optimal diffusion with  
no visible spots. Indoor or outdoor use.  
Made in Québec - Canada.



### DESCRIPTION

Heavy-duty silicone design

Side-bending neon

Commercial design

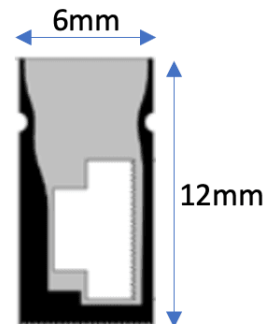
NEON effect

IP67 protection

Compatible with our 6mm LED strips

120° beam angle

### DIMENSIONS



# ORDER SHEET - FLEXIBLE NEON

1 FLEXIBLE NEON	2 STRIP	3 CRI	4 CCT	5 LENGTH	6 UNIT
LS-EXT-NEON-SIDE-06*12	6 mm LED strip				

7 CLIP	8 POWER SUPPLY POSITION (SEALED)

**9 SPECIAL REQUEST\*\*** Quantity xx clips, 4-foot power supply wire, etc.

---

**Legend**

Refer to the corresponding number in the box for the information to be provided.

**2** No choice of LED strip options. This Flex comes with a 6mm LED strip

- 3**
- 80
  - 90

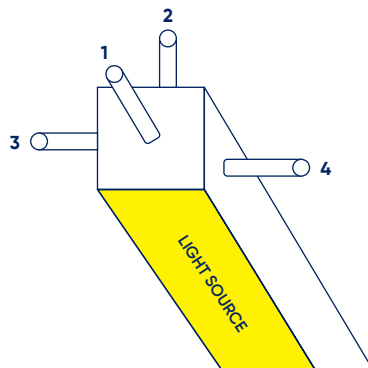
- 4**
- 2700k
  - 3000k
  - 3500k
  - 4000k
  - 5000k
  - RGBW
  - on demand

**5** Specify the desired length.

- 6** Select the unit of measurement for the length provided:
- Meters
  - Inches
  - Feet

- 7**
- CN: neon clip
  - ER: hard profile
  - EF: flexible profile

- 8**
- 1-END (end)
  - 2-BCK (back)
  - 3-SD1 (side 1)
  - 4-SD2 (side 2)



**9** Provide any other information required to specify your order.

\*STANDARD 24-INCH POWER CORD

## ACCESSORIES

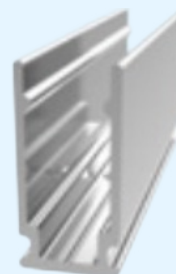
For more options



### MODEL

### ACCESSORIES

#### LS-EXT-NEON-SIDE-06\*12-CLIP

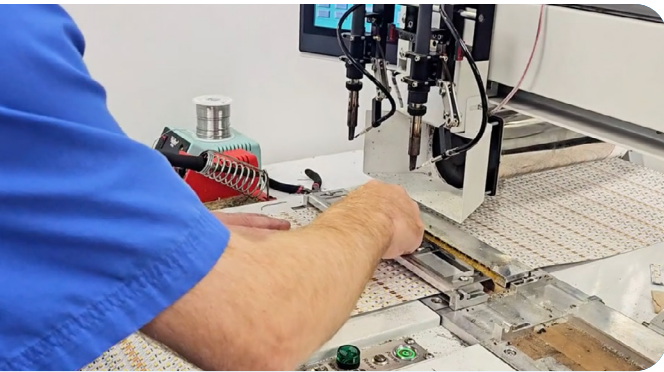


#### LS-EXT-NEON-SIDE-06\*12-PROFILE



Why | Pourquoi

# BOREALUX



- ✓ 100% Canadian LED manufacturer
- ✓ 5 year warranties
- ✓ Very fast delivery
- ✓ Very high custom production capacity

- ✓ Manufacturier DEL 100 % Canadien
- ✓ Garanties de 5 ans
- ✓ Livraison très rapide
- ✓ Capacité très élevée de production sur mesure

## Contact Us Contactez-nous

- ☎ 1-888-540-4713
- ✉ [vi@borealux.com](mailto:vi@borealux.com)
- 📍 670 rue Bouvier, Suite 108,  
Quebec, Canada G2J 1A7

[BOREALUX.COM](http://BOREALUX.COM)



Discover all our products | Découvrez tous nos produits